



ITEM NO

PROJECT

DATE

The Gemini System 120A conveniently and automatically brews 12 or 24 cups of rich, full-bodied coffee per cycle into a 36-cup insulated Satellite Server. A brew-ready light signals when water temperature is ready for the next brewing cycle. Timer can also be set to brew 24 cups at a time without refilling the brew basket. This full-featured brewer conveniently plugs into a conventional 115V wall outlet.

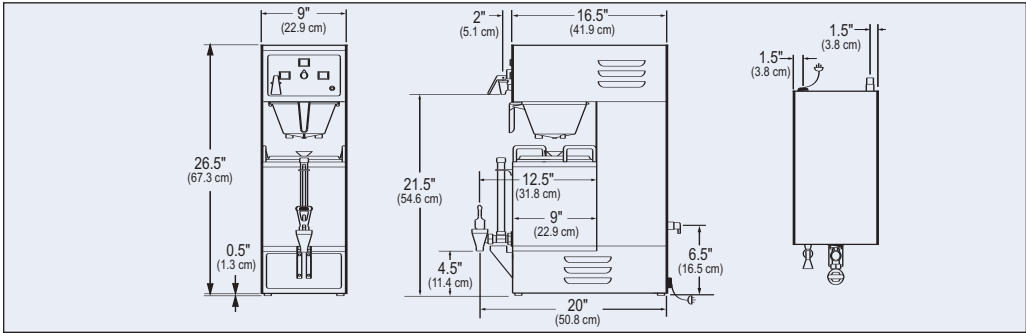
#### FEATURES AT A GLANCE

- Brews automatically in 12- or 24-cup increments.
- Automatic timer allows brewing of 24 cups without brew basket reloading.
- Hot water faucet lets you draw steaming hot water for tea, soups or cup meals — even during brewing.
- High-efficiency, double-wall insulation in each Satellite Server maintains coffee temperature for extended periods without warming. Coffee cannot deteriorate, but maintains its rich, full-bodied flavor.
- Locking Satellite lids guard against accidental spills.
- Color coded satellite faucets available for regular or decaffeinated coffee, tea.

#### OPTIONS

- 2.5" adjustable plastic legs.
- Oversize Stainless Steel Brew Basket *(Recommended when soft water is used, decaffeinated coffee, high altitude locations, or other conditions which may cause standard brew basket to overflow.)*

# GEM-120A



SPECIFICATIONS	Brew Cycles	Finished Brew Capacity	Dimensions (HxWxD)	Voltage	Power Requirements	Water Inlet	Shipping Weight (lbs)	Cube (cu. ft.)
GEM-120A	12 or 24 Cup	36 Cups	26.5" x 9" x 16.5"	120VAC/60Hz*	1775W/14.8A	.25" Flare	48 lbs.	3.53 cu. ft.

\*Optional Dual Voltage 120/220VAC; Export voltage available - contact factory

## GEMINI ACCESSORIES

### GEM-3 INSULATED SATELLITE SERVERS

Expand your coffee service by placing extra Satellite Servers in strategic locations away from brewer. Serving stands are available in two heights to provide extra convenience.

Dimensions .....9"W x 9"D x 11"H with handle



### GEM-5 HEATED SATELLITE SERVING STAND

Raises Satellite to 9.75" for decanter service.

Dimensions .....9"W x 9"D x 9.75"H  
Power.....115V/100W



### GEM-8 HEATED SATELLITE SERVING STAND

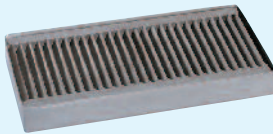
Raises the satellite 5.375" for cup service.

Dimensions .....9"W x 9"D x 5.375"H  
Power .....115V/100W

### STAINLESS STEEL DRIP TRAYS

Perfect for Gemini Systems and stands.

DT-08 .....8"W x 5"D x .75"H



### WC-3504 Legs

2.5" to 3" adjustable black plastic legs.



### WILBUR CURTIS COMPANY, INC.

6913 Acco Street, Montebello, CA 90640-5403  
Telephone: 800-421-6150 • 323-837-2300 •  
Fax: 323-837-2406  
www.wilburcurtis.com

